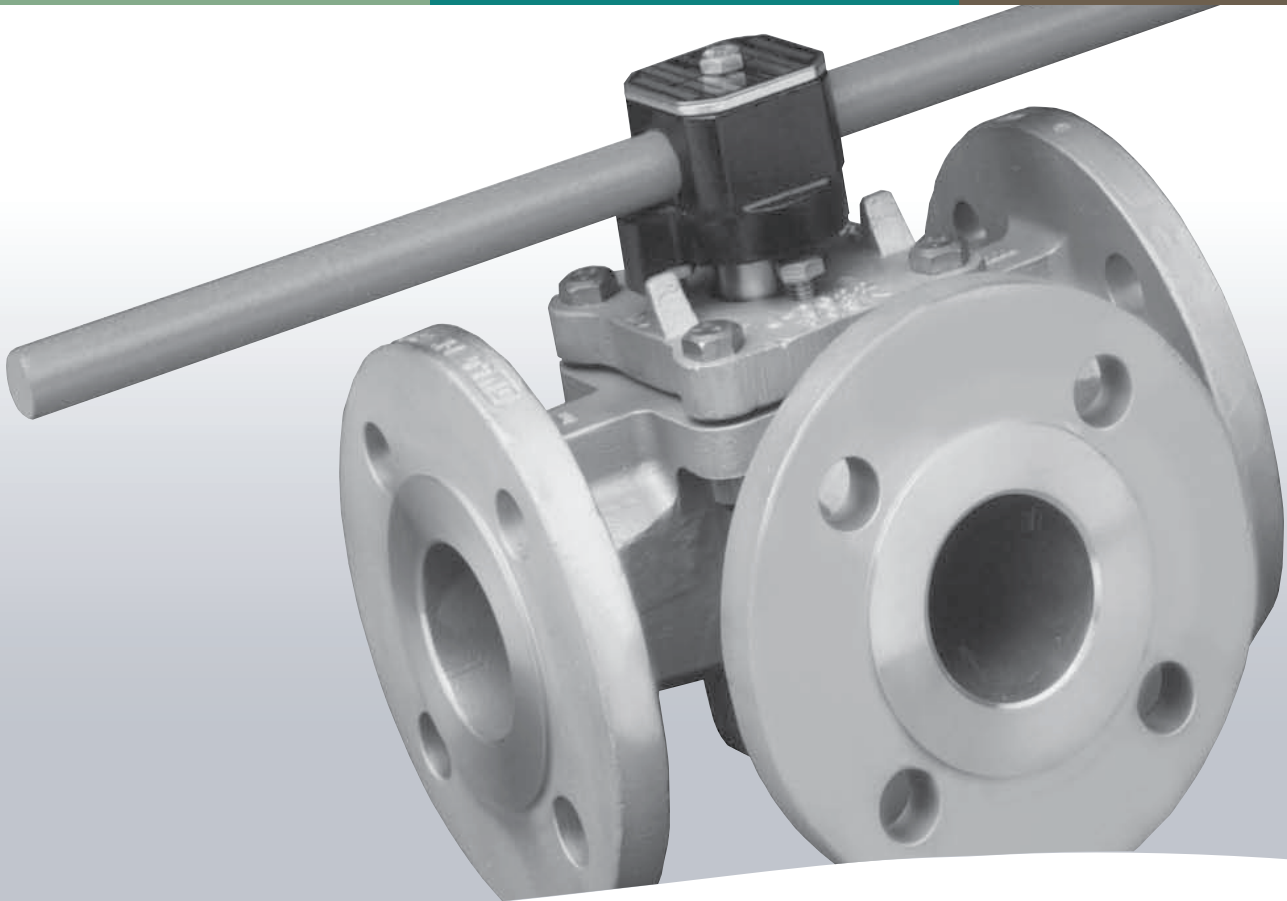


CRANE
NUCLEAR

brands you trust.



Tufline® Side Entry 3-Way Sleeved Plug Valves

www.cranenuclear.com

Tufline non-lubricated sleeved plug valves are available in a side-entry, 3-way configuration.

This valve incorporates the unique features and benefits of the Tufline line of valves including superior sealing performance and long service life with virtually maintenance free operation.

The Tufline side-entry 3-way valve adds the advantage of more compact, flexible, and economical system design and operation.

No pockets or cavities.

Unlike many other 3-way valve designs, Tufline sleeved plug valves have no cavities to entrap contaminating media. This is an important consideration for food and pharmaceutical applications.

For applications such as polymers, chemicals, salts, slurries, brines, muds, plastics, or sewage, there are no cavities where the flow media can collect and solidify.

Self cleaning.

Metal lips completely surround the valve ports. With each rotation of the valve, any scale which may have collected on the plug seal surface is broken-up and wiped away.

Variety of materials.

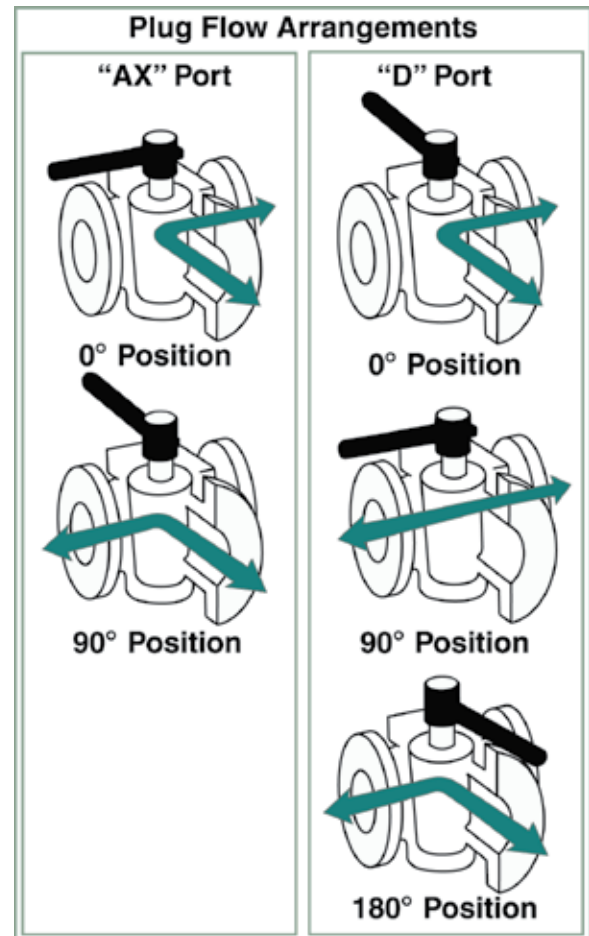
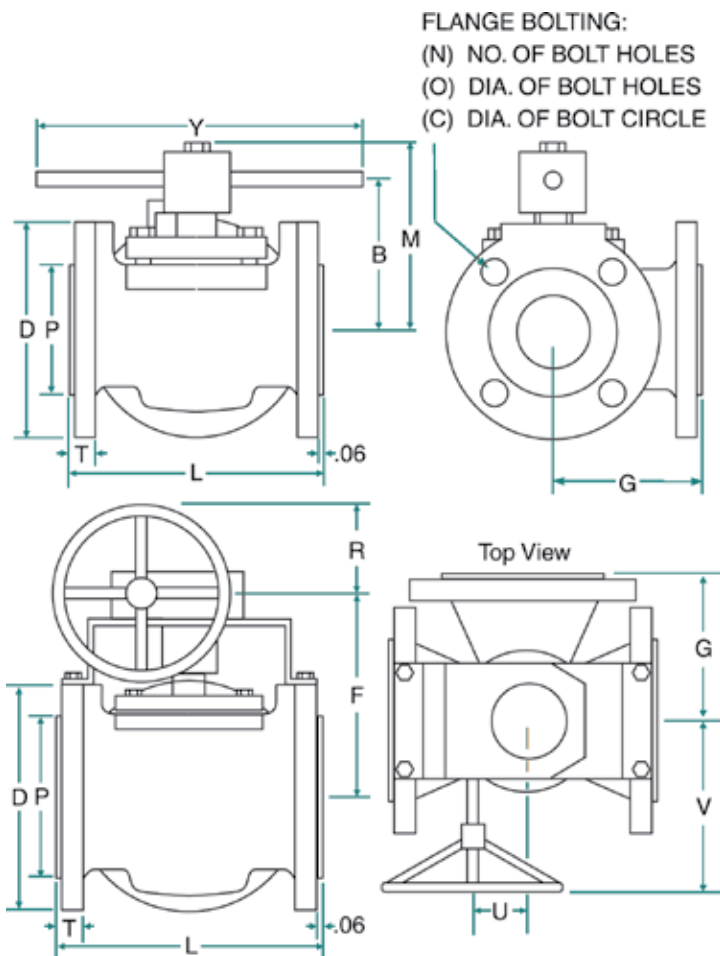
For maximum versatility, the Special Products Group offers Tufline 3-way side entry sleeved plug valves in a variety of standard and high-alloy metals.

Increased flow capacity.

As compared to Tufline's bottom entry 3-way sleeved plug valve, the side entry valve typically offers higher flow capacity.

Pressure/temperature ratings.

Pressure and temperature ratings for standard sleeved plug valves apply with the exception that the pressure drop should not exceed 170 psig at 100°F while switching.



* Flange pads are not provided on valves 1/2" - 6" "Double Nut" cover mounting is required.

Class 150 / 3-Way / Side-Entry . . . Figure No. 077

Size	L	G	D	T	P	N	O	C	M	B	Y	F	R	U	V	Weight
1/2	4.25	2.75	3.50	.38	1.38	4	.63	2.38	—	4.00	6.38	—	—	—	—	4
3/4	4.63	2.88	3.88	.41	1.69	4	.63	2.75	—	4.00	6.38	—	—	—	—	5
1	6.25	3.15	4.25	.44	2.00	4	.63	3.13	3.81	2.88	8.75	—	—	—	—	14
1 1/2	7.87	3.94	5.00	.56	2.88	4	.63	3.88	4.56	3.63	12.50	—	—	—	—	24
2	9.00	4.50	6.00	.63	3.63	4	.75	4.75	5.13	4.00	18.00	—	—	—	—	33
3	12.20	6.10	7.50	.75	5.00	4	.75	6.00	5.69	4.63	24.00	—	—	—	—	42
4W	13.78	6.89	9.00	.94	6.19	8	.75	7.50	7.06	5.75	30.00	—	—	—	—	76
4EG	13.78	6.89	9.00	.94	6.19	8	.75	7.50	—	—	—	8.75	6.00	1.88	8.00	115
6	10.50	7.94	11.00	1.00	8.50	8	.88	9.50	—	—	—	11.12	9.00	2.62	9.50	152
8	11.50	8.25	13.50	1.13	10.63	8	.88	11.75	—	—	—	13.25	9.00	3.00	11.25	240
10	18.00	11.25	16.00	1.19	12.75	12	1.00	14.25	—	—	—	14.88	12.00	3.50	13.31	470
12	19.75	12.50	19.00	1.25	15.00	12	1.00	17.00	—	—	—	16.13	15.00	5.38	15.38	650

How to specify

Size Figure No. Option Body Plug Sleeve Operator Service
2" - 077 - FT - 2 - 6 - P1 - W - C

Size & Figure No.

Options

Fire Tested **FT**
 Tertiary Top Seal . . . **TS**
 Cage Control **CCV**
 Extended Packing . . **XP**
 Partial Jacket **PJ**
 Full Jacket **FJ**

Port Arrangements
 "AX" or "D"

Valve specifications may include multiple options.

Body

Alloy 20 **0**
 Carbon Steel **2**
 Monel **3**
 304SS **4**
 Nickel **5**
 316SS **6**
 Hastelloy B **8**
 Hastelloy C **9**
 CD4MCu **27**
 Inconel **40**
 Other (Specify) . **X**

Service

Chlorine . . . **C**
 Oxygen . . . **O**
 Vacuum . . . **V**
 General Service . . . **Blank**
 Other** . . . **X**

Operator

Less Operator . . . **N**
 Wrench **W**
 Wrench with locking device . **WY**
 Gear **G**
 Gear with locking device . **GZ**
 Actuator* **A**

Sleeve

PTFE **P1**
 15% RPTFE . **P2**
 25% RPTFE . **P3**
 PFA **P6**
 Xomox-7 **P7**
 UHMWPE . . . **P8**
 Tuffline-475 . **P16**
 Tuffline-600 . **P20**
 Other (Specify) . . **PX**

Plug

Alloy 20 **0**
 Monel **3**
 304SS **4**
 Nickel **5**
 316SS **6**
 Hastelloy B **8**
 Hastelloy C **9**
 CD4MCu **27**
 Inconel **40**
 Other (Specify) . **X**

* Specify actuator type and available air supply.

** Consult your Xomox Sales Engineer for a wide variety of other available service options.

Cv Values

Size	"AX" Port 0° & 90° "D" Port 0° & 180°	"D" Port 90°
1/2	4.5	9
3/4	4.5	9
1	17.5	35
1 1/2	37.5	74
2	64	146
3	108	250
4	193	468
6	374	936
8	515	1400
10	860	2159
12	1280	3200



FOR PARTS:

CRANE NUCLEAR
860 Remington Blvd.
Bolingbrook, IL 60440 USA
Tel: 630.226.4900
Fax: 630.226.4648

FOR SERVICES:

CRANE NUCLEAR
2825 Cobb International Blvd.
Kennesaw, GA 30152 USA
Tel: 770.424.6343
Fax: 770.429.4752

www.cranenuclear.com



Crane Co., and its subsidiaries cannot accept responsibility for possible errors in catalogues, brochures, other printed materials, and website information. Crane Co. reserves the right to alter its products without notice, including products already on order provided that such alteration can be made without changes being necessary in specifications already agreed. All trademarks in this material are property of the Crane Co. or its subsidiaries.

